

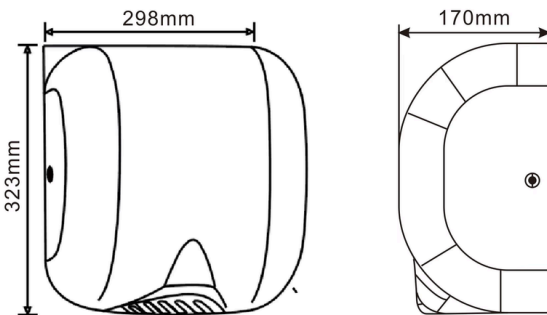


We Deal in Water Conservation

COMPACT HIGH SPEED HAND DRYER

253.0106

PRODUCT SPECIFICATIONS



- Brand : Joe & Jone
- Operation : Automatic
- **Ordering Code : 250.0106**
- Finish : Mirror
- Product Type : Wall Mounted
- Material : Stainless Steel 304
- **Working Power : AC Power**
- AC 220V 50/60 HZ
- Rated Power : 1450 W
- Heating Power : 850 W
- Motor Type : Brush Motor
- Motor Rate : 22000 RPM
- Air speed : 85~100m/s
- Drying time : 10~12s
- Decibel level : 78 DB
- Waterproof rate : IPx1

TECHNICAL DATA SHEET

FEATURES:

- Stylish, curvaceous appearance
- Reinforced cast stainless steel 304 shell
- With an infrared sensor and anti-interfere technology
- Compact Stainless Steel Electric Hand Dryer

BOX CONTENTS :

- Automatic Hand Dryer
- Wall Mounting Accessories
- Relative Spares
- Installation Manual

