

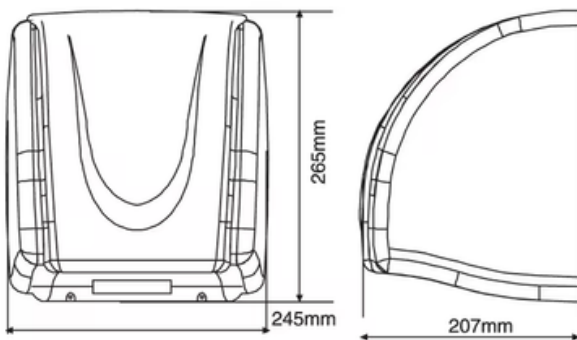


We Deal in Water Conservation

## COMPACT HYGIENE HAND DRYER

253.0103

### PRODUCT SPECIFICATIONS



ALL DIMENSIONS IN MM

- Brand : Joe & Jone
- Operation : Automatic
- **Ordering Code : 250.0103**
- Finish : Chrome
- Product Type : Wall Mounted
- Material : Stainless Steel 304
- **Working Power : AC Power**
- AC 220V 50/60 HZ
- Rated Power : 2100 W
- Motor Type : Carbon Brush Motor
- Motor Rate : 5100 RPM
- Air speed : 21 M/S
- Drying time : 15~30 S
- Decibel level : 60 DB
- Waterproof rate : IPx1

TECHNICAL DATA SHEET

### FEATURES:

- Stylish, curvaceous appearance
- Reinforced cast stainless steel 304 shell
- With an infrared sensor and anti-interfere technology
- Compact Mini Stainless Steel Electric Hand Dryer

### BOX CONTENTS :

- Automatic Hand Dryer
- Wall Mounting Accessories
- Relative Spares
- Installation Manual

