



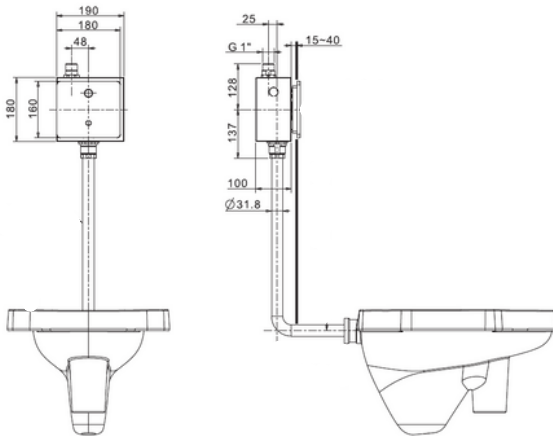
We Deal in Water Conservation

AUTOMATIC TOUCHLESS TOILET FLUSH

370.2178 (AC Power)

370.2179 (DC Power)

PRODUCT SPECIFICATIONS



ALL DIMENSIONS IN MM

- Brand : Joe & Jone
- Operation : Automatic Infrared Touchless
- **Ordering Code : 370.2178 (AC Power)**
- **Ordering Code : 370.2179 (DC Power)**
- Finish : Brushed Stainless Steel
- Product Type : Concealed Toilet Flush Valve
- Material : Stainless Steel 304
- AC 240V 50/60 HZ
- DC 4V
- Working Pressure : 0.05 - 0.8 MPa (0.5-8 Bar)
- Sensor Distance : 75cm
- Inlet Pipe Diameter : 1"
- Factory Flush Setting : 5 Seconds
- Flush Per Second : 6L
- Brass Solenoid Valve
- Integrated Sensor + Push Button
- Battery Backup (1.5 Years)

TECHNICAL DATA SHEET

FEATURES:

- Infrared WC Sensor automatically turns on and off (Convenience & Hygiene)
- The system automatically flushes if no usage in 24 hours
- Water efficient features reduces overall water usage without sacrificing pressure
- Trap Seal Protection

BOX CONTENTS :

- Stainless Steel Flush Plate with Frame
- Concealed Solenoid Valve with Cover
- Transformer / Battery Box
- Inlet & Outlet Connector
- Installation Manual

