

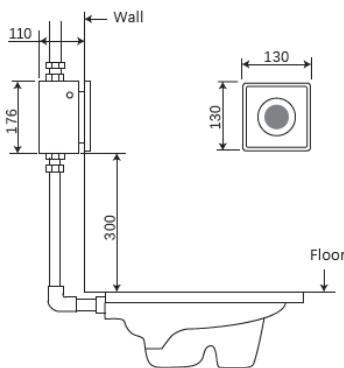


We Deal in Water Conservation

AUTOMATIC TOUCHLESS TOILET FLUSH

370.2170

PRODUCT SPECIFICATIONS



ALL DIMENSIONS IN MM

- Brand : Joe & Jone
- Operation : Automatic Infrared Touchless
- **Ordering Code : 370.2170**
- Finish : Brushed Finish
- Product Type : Concealed Toilet Flush
- Material : Stainless Steel 304
- High Grade Sandblasted Panel
- **Working Power : Dual Power**
- AC 240V 50/60 HZ, DC 6V
- Working Pressure : 0.2 - 0.8 MPa (2-8 Bar)
- Sensor Distance : 80cm (Adjustable)
- Inlet Pipe Diameter : 1"
- Factory Flush Setting : 3 Seconds
- Flush Per Second : 3L
- Different LED Lights Display
- Brass Solenoid Valve
- Integrated Sensor + Touchpad
- Battery Back-up Life : 1.5 Years

TECHNICAL DATA SHEET

FEATURES:

- Infrared WC Sensor automatically turns on and off (Convenience & Hygiene)
- The system automatically flushes if no usage in 24 hours
- Water efficient features reduces overall water usage without sacrificing pressure
- Made with Stainless Steel Grade 304 Anti Finger Print Panel

BOX CONTENTS :

- Stainless Steel Flush Plate with Frame
- Concealed Solenoid Valve with Cover
- Transformer / Battery Box
- Inlet & Outlet Connector
- Installation Manual

