

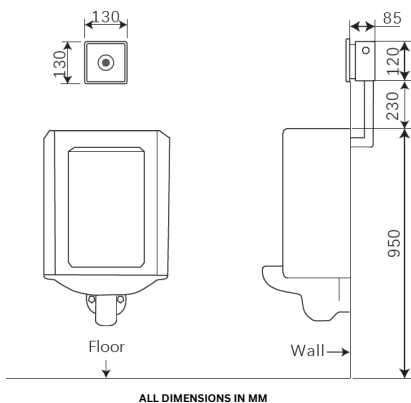


We Deal in Water Conservation

AUTOMATIC URINAL FLUSH STAINLESS STEEL

370.1755

PRODUCT SPECIFICATIONS



ALL DIMENSIONS IN MM

- Brand : Joe & Jone
- Operation : Automatic Infrared Touchless
- **Ordering Code : 370.1755**
- Finish : High Grade Chrome Plated
- Product Type : Concealed Urinal Flush
- Material : Stainless Steel 304
- **Power Supply : Dual Power**
- AC 240V 50/60HZ, DC 6V
- Working Pressure : 0.05 - 0.8 MPa
- Sensor Distance : 70cm (Adjustable)
- Mounting Diameter : G1/2"
- Inlet/Outlet Pipe Diameter : G1/2"
- Factory Flush Setting : 6 Seconds
- Flush Per Second : $\leq 1L$
- Sensor and Round Touch Pad Dual Function
- Different LED Lights Display
- Brass Solenoid Valve

TECHNICAL DATA SHEET

FEATURES:

- Infrared Urinal Sensor automatically turns on and off (Convenience & Hygiene)
- Adjustable sensor range by remote (optional)
- Built-in water regulate valve can adjust or turn off the water as required.
- The system automatically flushes if no usage in 24 hours
- Water efficient features reduces overall water usage without sacrificing pressure.
- Built-in water quality filter unit can effectively filter the water impurities and protect the valve core.

BOX CONTENTS :

- Stainless Steel Flush Plate with Frame
- Concealed Brass Solenoid Valve with Cover
- Transformer / Battery Box
- Inlet & Outlet Connector
- Installation Manual

