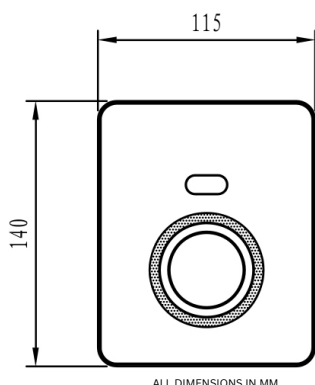




We Deal in Water Conservation

## AUTOMATIC URINAL FLUSH STAINLESS STEEL

**370.1752**



### PRODUCT SPECIFICATIONS

- Brand : Joe & Jone
- Operation : Automatic Infrared Touchless
- **Ordering Code : 370.1752**
- Finish : Brushed Stainless Steel
- Product Type : Concealed Urinal Flush
- Material : Stainless Steel 304
- **Working Power : Dual Power**
- AC 240V 50/60HZ, DC 4V
- Working Pressure : 0.05 - 0.7 MPa
- Sensor Distance : 35cm - 65cm
- Battery Life : 1.5 Years
- Mounting Diameter : G1/2"
- Inlet/Outlet Pipe Diameter : G1/2"
- Factory Flush Setting : 6 Seconds
- Flush Per Second : 2.5 Litres
- Different LED Display Lights

TECHNICAL DATA SHEET

### FEATURES:

- Infrared Urinal Sensor automatically turns on and off (Convenience & Hygiene)
- Adjustable sensor range by remote (optional)
- Flush Program shall be 2 secs. for pre-flush & 6 secs. for after flush
- The system automatically flushes if no usage in 24 hours
- Water efficient features reduces overall water usage without sacrificing pressure

### BOX CONTENTS :

- Stainless Steel Flush Plate with Frame
- Concealed Brass Solenoid Valve with Cover
- Transformer / Battery Box
- Inlet & Outlet Connector
- Installation Manual

