



We Deal in Water Conservation

DECK MOUNTED TOUCH FREE ELECTRONIC SENSOR FAUCET

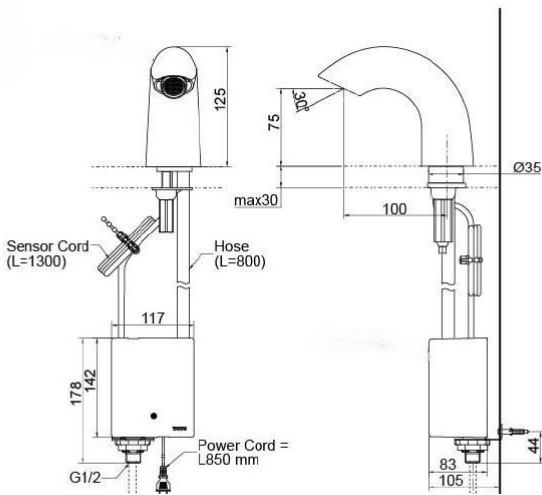
(362.0035)



PRODUCT SPECIFICATIONS

- Brand : Joe & Jone
- Type : 100% Brass Body
- Operation : Touchless Automatic Electronic
- **Ordering Code : 362.0035**
- Finish : Chrome Plated
- **Product Type : Hot & Cold Water**
- Material : Chrome Plated Brass
- **Power Supply : AC Power Supply**
- AC 240V 50/60 HZ
- IR Sensor
- Deck Mounted Installation.
- G-1/2" Hose, Female, Filter Included
- Operating Water Pressure : 0.5 - 8 Bar
- Ambient Temperature : 1-55°C
- 60 Seconds Overtime Protection
- Sensing Distance : 15 - 26cm (Adjustable)
- Flow Rate : 3 Li/Min
- **Available in Brushed Nickel, Black Matt & Gold.**

TECHNICAL DATA SHEET



ALL DIMENSIONS IN MM

ADVANTAGES

BOX CONTENTS :

- Brass Body Sensor Faucet
- Sensor Circuit with Solenoid Valve
- AC Transformer
- Stainless Steel Hoses
- Relative Spares

- Reduces Water Consumption
- Cross Contamination Protection - No Physical Contact
- Sensor Settings Adjustable by Remote Control
- Easy Installation
- Modern Technology
- No Disruptive Elements

