

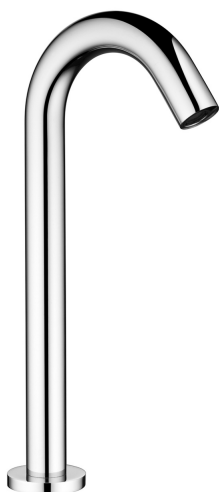


We Deal in Water Conservation

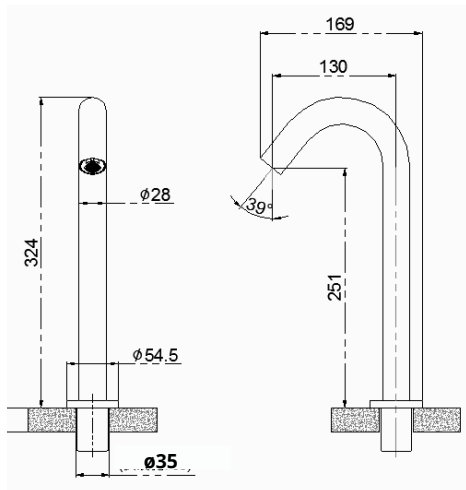
## DECK MOUNTED TOUCH FREE ELECTRONIC SENSOR FAUCET

(362.0014)

### PRODUCT SPECIFICATIONS



- Brand : Joe & Jone
- Type : 100% Brass Body
- Operation : Touchless Automatic Electronic
- **Ordering Code : 362.0014**
- Finish : Chrome Plated
- **Product Type : Hot/Cold**
- Material : Chrome Plated Brass
- **Power Supply : Dual Power Supply AC/DC**
- DC Battery : 6V
- IR Sensor
- Deck Mounted Installation.
- Low Battery Indicator
- G-1/2" Hose, Female, Filter Included
- Operating Water Pressure : 0.5 - 8 Bar
- 60 Seconds Overtime Protection
- Sensing Distance : 10 - 22cm (Adjustable)
- Flow Rate : 4 Li/Min
- Flow Restrictor : 1.5 Li/Min
- Low Power LED Indicator (DC Type)
- **Available in Gold, Brushed Nickel & Black Matt**



ALL DIMENSIONS IN MM

TECHNICAL DATA SHEET

### BOX CONTENTS :

- Brass Body Sensor Faucet
- Sensor Circuit with Solenoid Valve
- AC Transformer
- Battery Box
- Stainless Steel Hoses
- Relative Spares

### ADVANTAGES

- Reduces Water Consumption
- Cross Contamination Protection - No Physical Contact
- Sensor Settings Adjustable by Remote Control
- Easy Installation
- Modern Technology
- No Disruptive Elements

