



We Deal in Water Conservation

## DECK MOUNTED TOUCH FREE ELECTRONIC SENSOR FAUCET

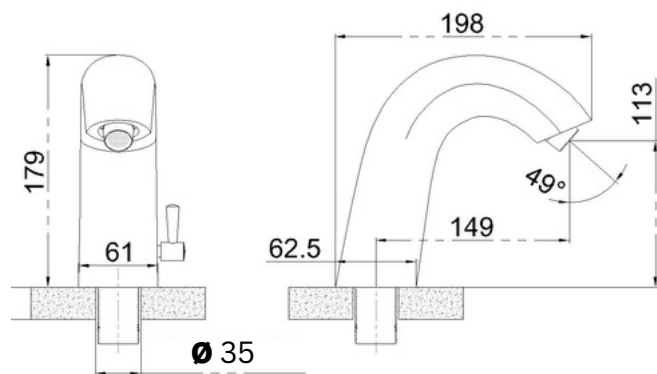
(362.0002)

### PRODUCT SPECIFICATIONS



- Brand : Joe & Jone
- Type : 100% Brass Body
- Operation : Touchless Automatic Electronic
- **Ordering Code : 362.0002**
- Finish : Chrome Plated
- **Product Type : Hot/Cold**
- Material : Chrome Plated Brass
- **Power Supply : Dual Power Supply AC/DC**
- DC Battery : 6V
- IR Sensor
- Deck Mounted Installation.
- Low Battery Indicator
- G-1/2" Hose, Female, Filter Included
- Operating Water Pressure : 0.5 - 8 Bar
- 60 Seconds Overtime Protection
- Sensing Distance : 10 - 22cm (Adjustable)
- Flow : 4 Li/Min
- Flow Restrictor : 1.5 Li/Min
- Low Power LED Indicator (DC Type)

TECHNICAL DATA SHEET



ALL DIMENSIONS IN MM

### ADVANTAGES

#### BOX CONTENTS :

- Brass Body Sensor Faucet
- Sensor Circuit with Solenoid Valve
- AC Transformer
- Battery Box
- Stainless Steel Hoses
- Relative Spares

- Reduces Water Consumption
- Cross Contamination Protection - No Physical Contact
- Sensor Settings Adjustable by Remote Control
- Easy Installation
- Modern Technology
- No Disruptive Elements

